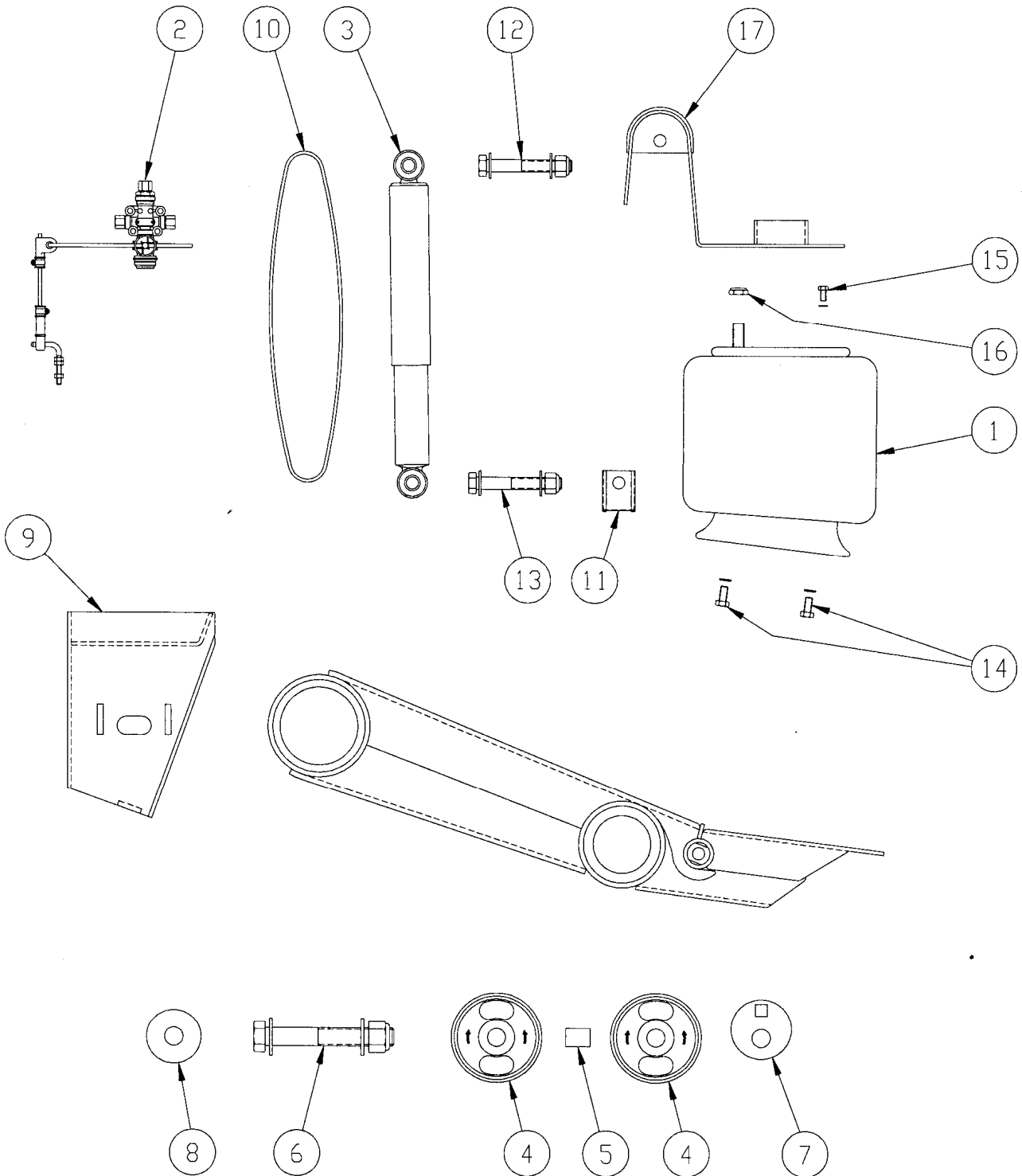


Barry Stoodley Pty Ltd

LM AIR SUSPENSION SPARES

TMC



Barry Stoodley Pty Ltd

ITEM	DESCRIPTION	PART NO.	QTY
1	AIR SPRING	626104	1
2	HEIGHT CONTROL VALVE C/W LINKAGE KIT	626108	1
3	SHOCK ABSORBER	626110	1
4	PIVOT BUSH (FOUR PER MODULE)	626117	1
5	JOINING SLEEVE PIVOT BUSH (2 PER MODULE)	626117/01	1
6	PIVOT BOLT M30 C/W NUT & WASHER	626122SB	1
7	ALIGNMENT ADJUSTING WASHER	626123	1
8	HANGER PIVOT WASHER	626126	1
9	FRONT HANGER 250/380MM RIDE HEIGHT LH	626127/01	1
	FRONT HANGER 250/380MM RIDE HEIGHT RH	626127/02	1
	FRONT HANGER 290/420MM RIDE HEIGHT LH	626128/01	1
	FRONT HANGER 290/420MM RIDE HEIGHT RH	626128/02	1
	FRONT HANGER 320/450MM RIDE HEIGHT LH	626129/01	1
	FRONT HANGER 320/450MM RIDE HEIGHT LH	626129/02	1
	FRONT HANGER 200/340MM RIDE HEIGHT LH	626130/01	1
	FRONT HANGER 200/340MM RIDE HEIGHT RH	626130/02	1
10	RESTRAINT STRAP - SHOCKER ABSORBER	626134	1
11	CLIP - RESTRAINT STRAP	626135	1
12	TOP SHOCKER BOLT ASSY	626161SB	1
13	LOWER SHOCKER BOLT ASSY	626162SB	1
14	AIR SPRING MOUNTING BOLT BOTTOM	9HB1/2UNC1.25	1
15	AIR SPRING MOUNTING BOLT TOP	9HB3/8UNC1.00	1
16	AIR SPRING MOUNTING NUT TOP - AIR INLET	9LTNT3/4UNF	1
17	AIR SPRING & SHOCKER MTG 250/380 LH	626139/01	1
	AIR SPRING & SHOCKER MTG 250/380 RH	626139/02	1
	AIR SPRING & SHOCKER MTG 290/420 LH	626140/01	1
	AIR SPRING & SHOCKER MTG 290/420 RH	626140/02	1
	AIR SPRING & SHOCKER MTG 320/450 LH	626141/01	1
	AIR SPRING & SHOCKER MTG 320/450 RH	626141/02	1
	AIR SPRING & SHOCKER MTG 200/340 LH	62614201	1
	AIR SPRING & SHOCKER MTG 200/340 RH	626142/02	1